

# FARO

## Installation Instructions

FARO WALL

FARO SPIKE

FARO MINI WALL

FARO MINI SPIKE

## Important notices

- This product must be installed in accordance with applicable national and local electrical and construction codes by a person familiar with the construction and operation of the product and the hazards involved. Failure to comply with the following installation instructions may result in death or serious injury.
- Do not stare at the operating light source.
- The fixture might be damaged by excess voltage. The installation of an overvoltage protection device on the electrical system may reduce the risk of damage.
- The use of an adequate magnetothermic switch along the power supply line is recommended.
- Connect the fixtures to each other only when disconnected from mains.
- Never leave cables and connectors unconnected or unprotected for long periods.
- Disconnect power before installing or servicing to avoid electrical shock.
- Disconnect power before any connection operation.
- Check voltage and frequency before powering the fixture. Do not exceed fixture specified voltage.
- Do not handle the unit with wet hands or in wet environments.
- Apply to qualified staff for any maintenance service not described in this instructions manual.
- Do not exceed the maximum quantity of fixtures per line in order to avoid power surges.
- Before powering the unit, ensure to use cables and connectors with proper section and length, according to its power consumption.
- Fix the projector by using screws, hooks or other adequate supports that can bear its weight.

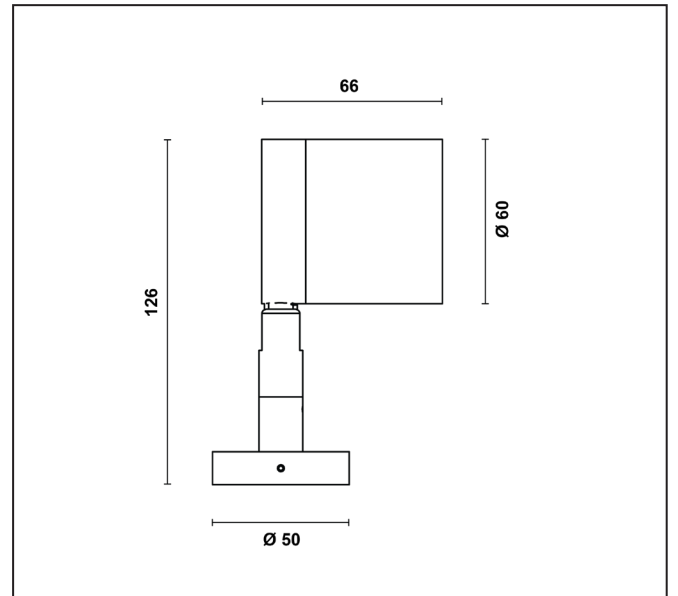
**WARNING !** Prolonged staring at the LED source should be avoided by placing the fixture in a proper position !

**WARNING !** Fixing and connecting operations must mandatorily be carried out by qualified personnel only !

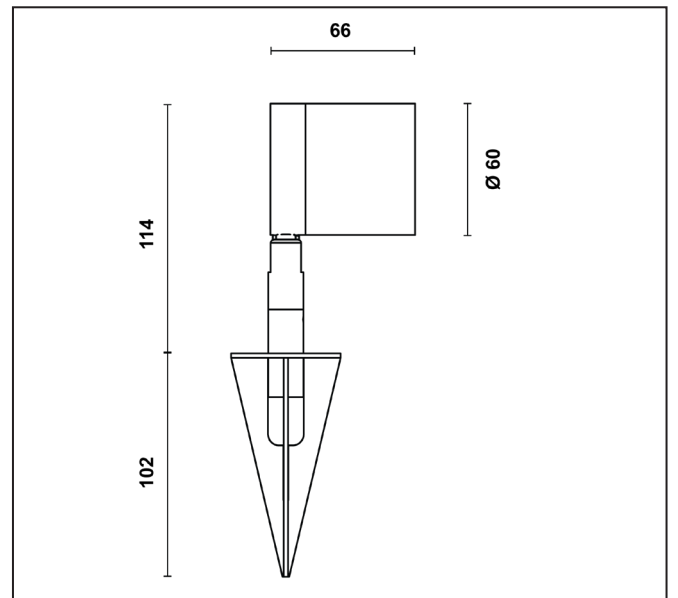
**WARNING !** Make sure that power supply is off before connecting or disconnecting fixtures !

# brevont

## FARO WALL



## FARO SPIKE

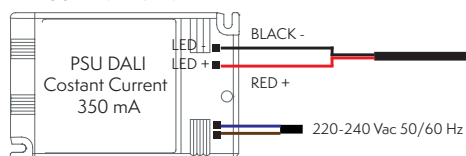


## Connection

### FARO WALL / FARO SPIKE

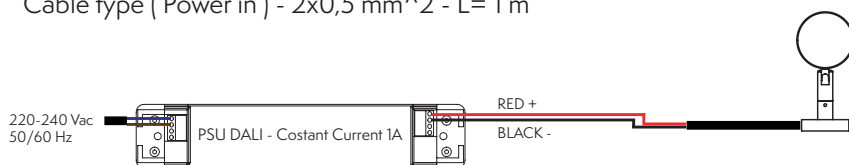
Cable type ( Power in ) - 2x0,5 mm<sup>2</sup> - L= 1 m

FAROW.DRIVER.DALI  
FAROSPIKE.DRIVER.DALI

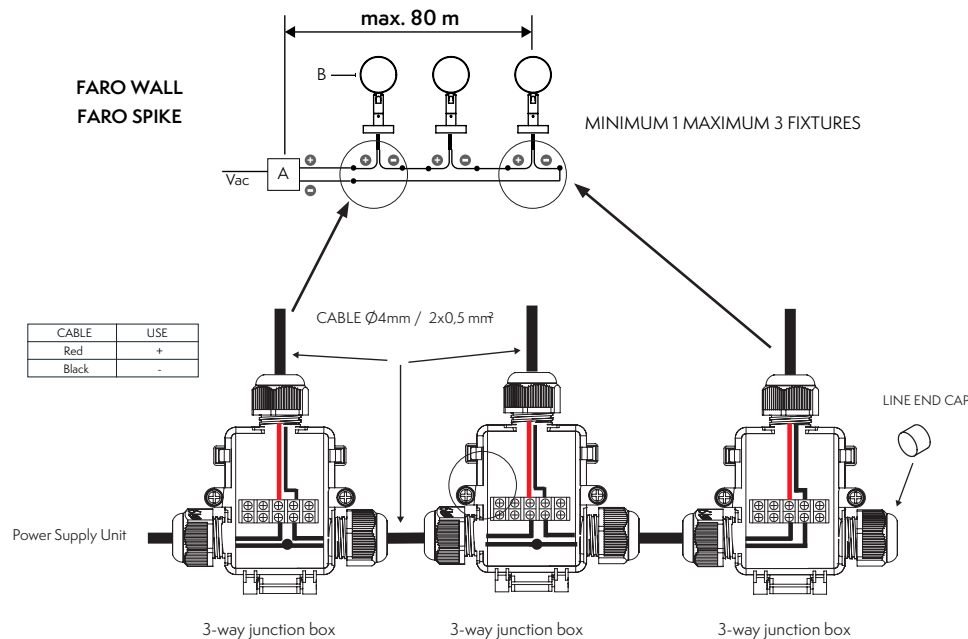


### FARO Ultraspot

Cable type ( Power in ) - 2x0,5 mm<sup>2</sup> - L= 1 m



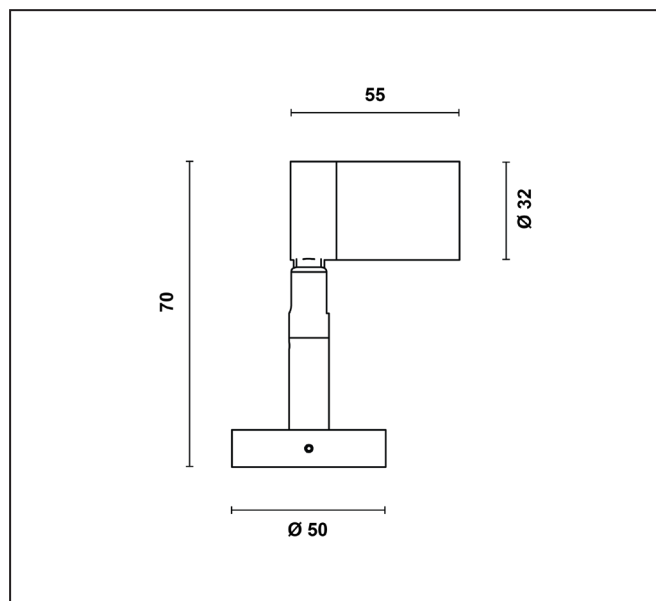
Maximum distance between Power Supply Unit and last fixture:



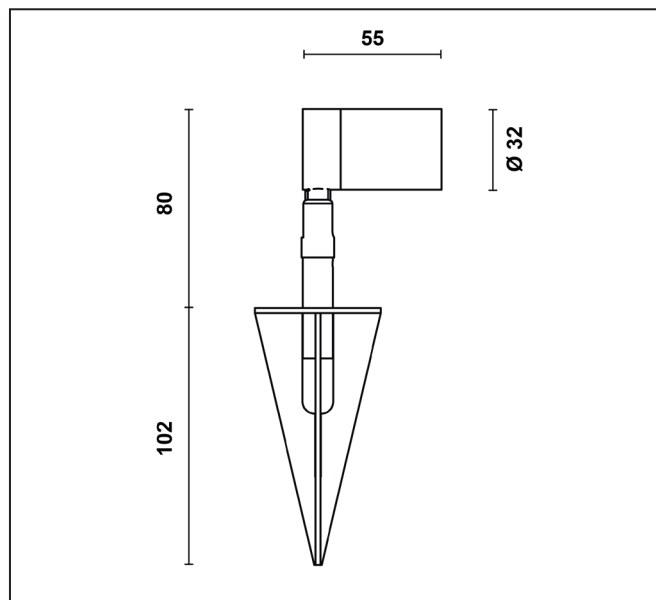
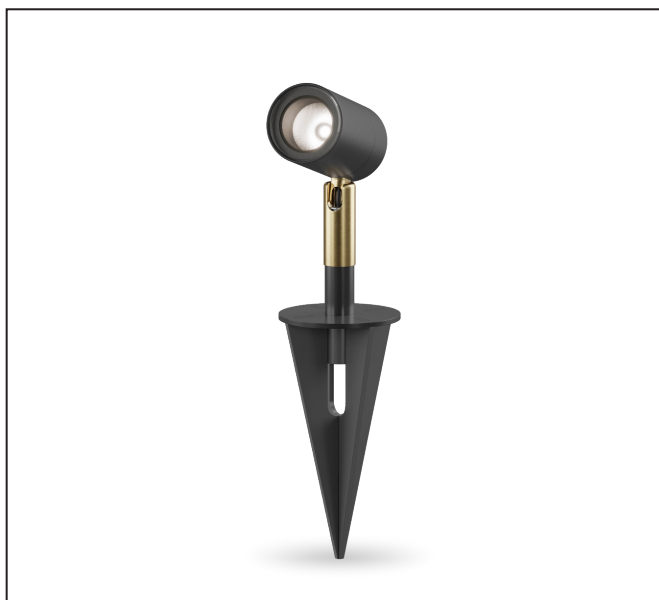
Make only waterproof connections through IP67 junction boxes

# brevont

## FARO MINI WALL



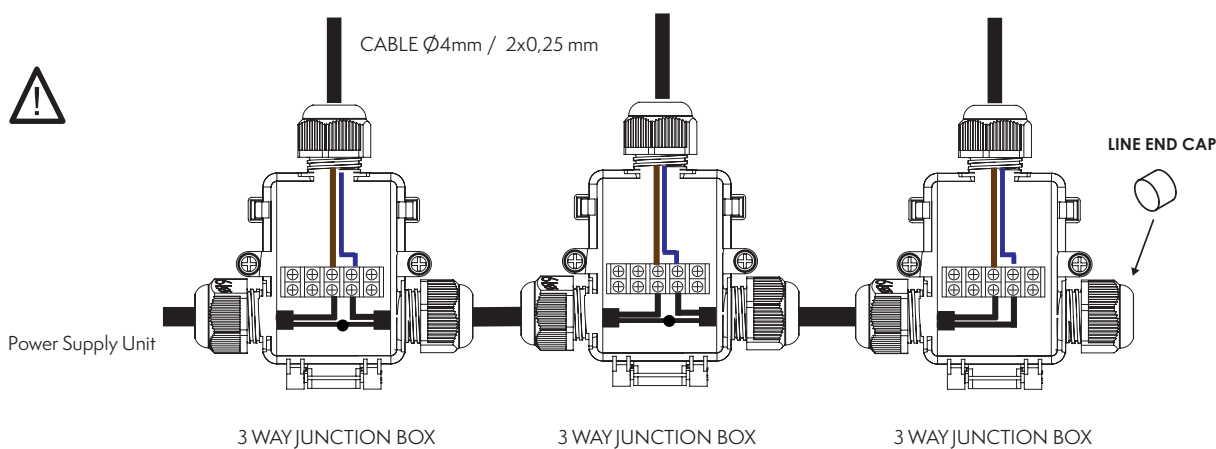
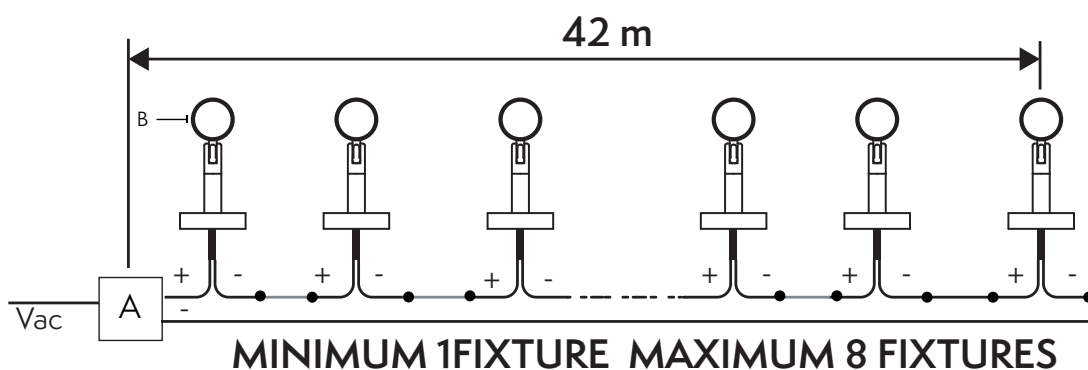
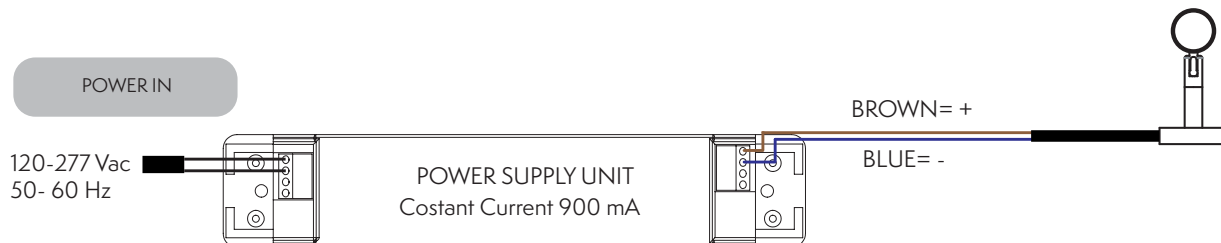
## FARO MINI SPIKE



## Connection

### FARO MINI WALL / FARO MINI SPIKE

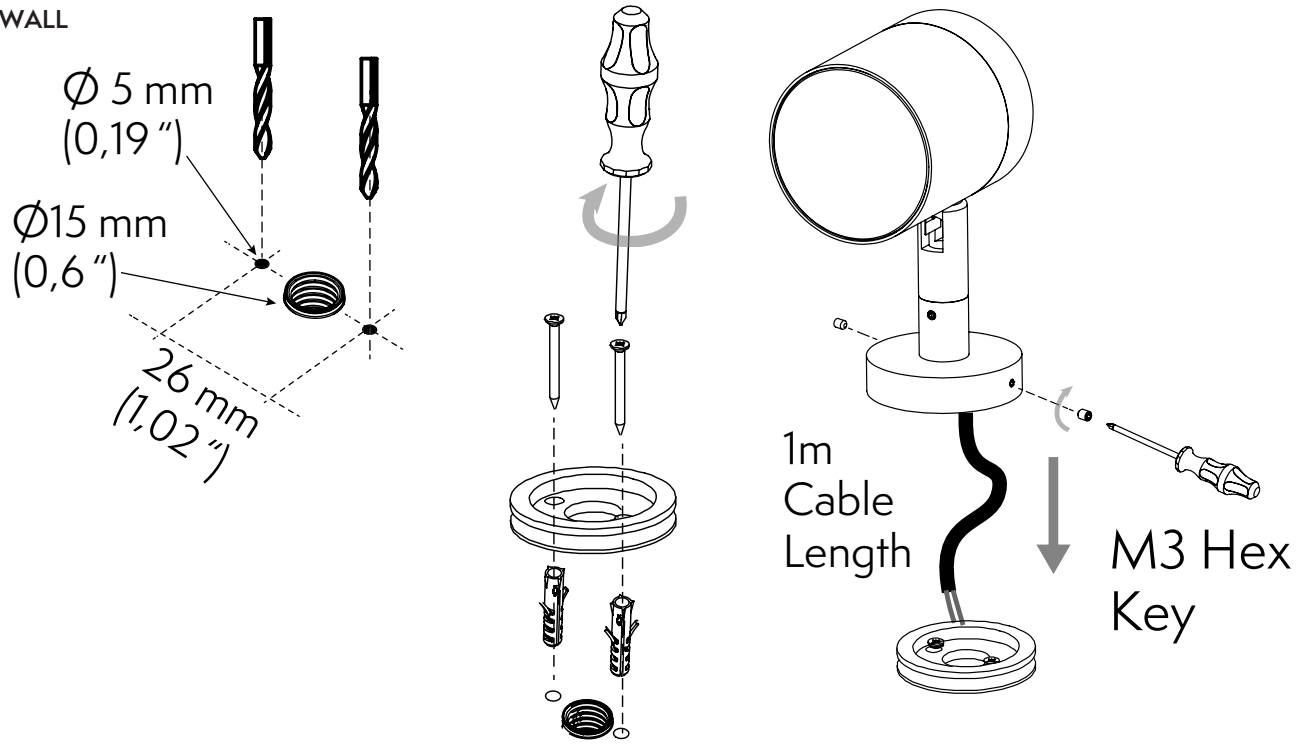
Cable type ( Power in ) - 2x0,25 mm<sup>2</sup> - L= 1 m



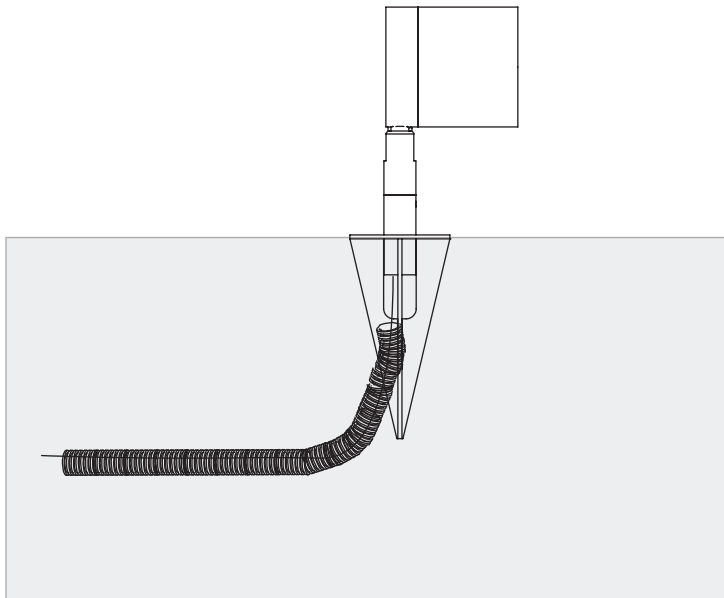
Make only waterproof connections through IP67 junction boxes

## Fixing

### FARO WALL



### FARO SPIKE

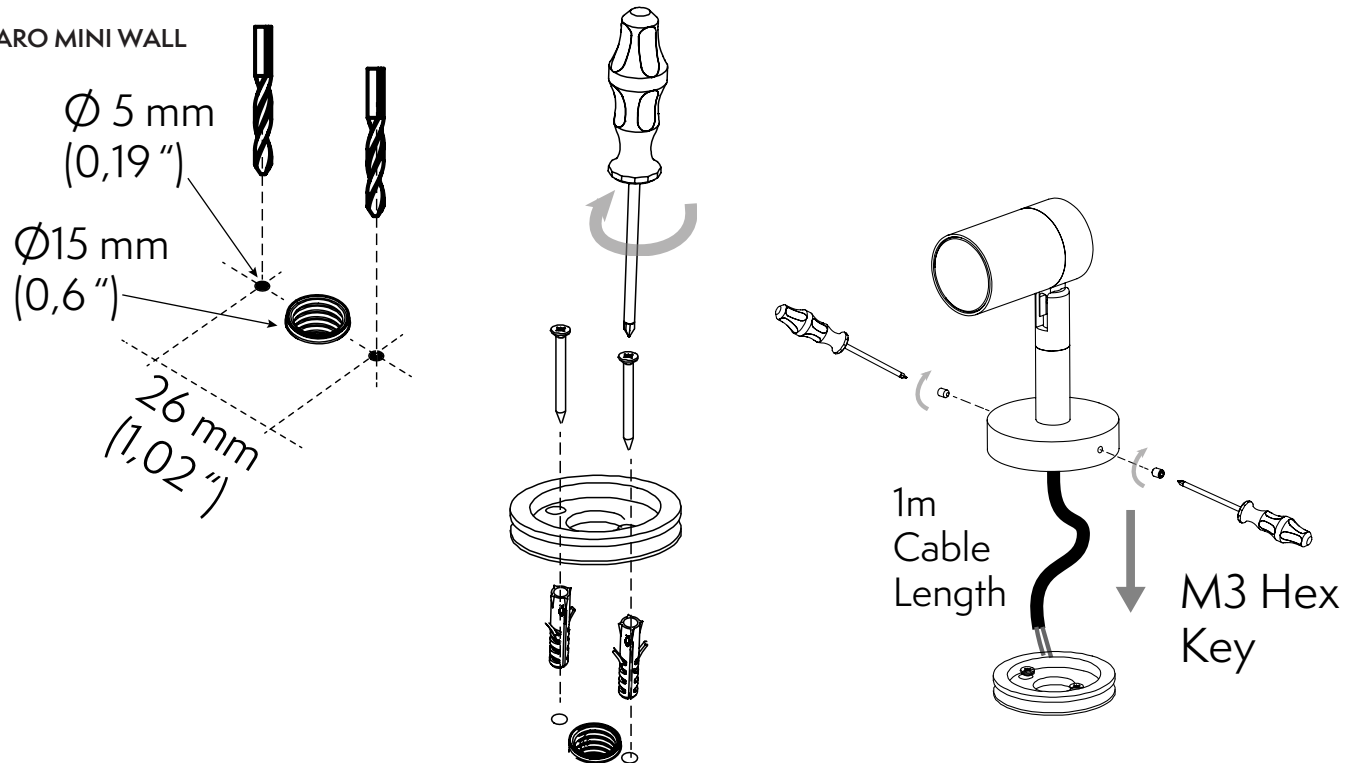


**WARNING !** fixing and connecting operations must mandatorily be carried out by qualified personnel only !

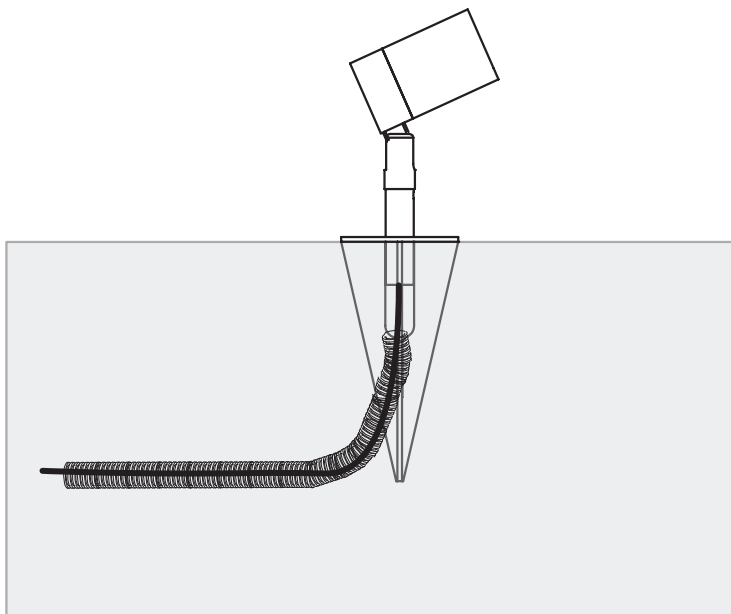
**WARNING !** Ensure power supply is off before connecting or disconnecting fixtures !

## Fixing

### FARO MINI WALL



### FARO MINI SPIKE



**WARNING !** fixing and connecting operations must mandatorily be carried out by qualified personnel only !

**WARNING !** Ensure power supply is off before connecting or disconnecting fixtures !



# brevont

Lechtal House, Borovere Business Park  
Alton  
GU34 1FH  
United Kingdom

[www.brevont.com](http://www.brevont.com)

[enquiries@brevont.com](mailto:enquiries@brevont.com)